



MS65R360

主要参数 MAIN CHARACTERISTICS

I_D	11A
V_{DSS}	650 V
$R_{dson-max}$ (@ $V_{gs}=10V$)	0.40 Ω
Q_g-typ	22 nC

用途

- 高频开关电源
- 电子镇流器
- LED 电源

产品特性

- 低栅极电荷
- 开关速度快
- 产品全部经过雪崩测试
- 高抗 dv/dt 能力
- RoHS 产品
- 超结产品

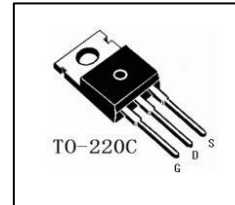
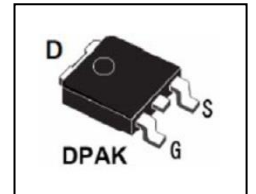
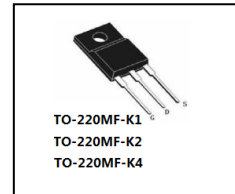
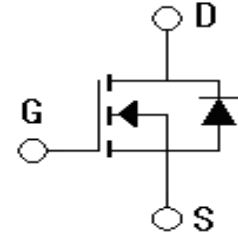
APPLICATIONS

- High frequency switching mode power supply
- Electronic ballast
- LED power supply

FEATURES

- Low gate charge
- Fast switching
- 100% avalanche tested
- Improved dv/dt capability
- RoHS product
- Super Junction MOS

封装 Package



订货信息 ORDER MESSAGE

订货型号 Order codes				印 记 Marking	封 装 Package
有卤-条管	无卤-条管	有卤-编带	无卤-编带		
Halogen-Tube	Halogen-Free-Tube	Halogen-reel	Halogen-Free-Reel		
MS65R360-F1-B	MS65R360-F1-BR	N/A	N/A	MS65R360	TO-220MF-K1
MS65R360-F2-B	MS65R360-F2-BR	N/A	N/A	MS65R360	TO-220MF-K2
MS65R360-F4-B	MS65R360-F4-BR	N/A	N/A	MS65R360	TO-220MF-K4
MS65R360-R-B	MS65R360-R-BR	MS65R360-R-A	MS65R360-R-AR	MS65R360	DPAK
MS65R360-C-B	MS65R360-C-BR	N/A	N/A	MS65R360	TO-220C



绝对最大额定值 ABSOLUTE RATINGS (Tc=25°C)

项 目 Parameter	符 号 Symbol	数 值 Value		单 位 Unit
		MS65R360/DPAK/ TO-220C	MS65R360/TO-220 MF-K1/K2/K4	
最高漏极-源极直流电压 Drain-Source Voltage	V_{DSS}	650		V
连续漏极电流 Drain Current -continuous	I_D T=25°C T=100°C	11*		A
		6.6*		A
最大脉冲漏极电流 (注1) Drain Current - pulse (note 1)	I_{DM}	44*		A
最高栅源电压 Gate-Source Voltage	V_{GSS}	±30		V
单脉冲雪崩能量 (注2) Single Pulsed Avalanche Energy (note 2)	E_{AS}	250		mJ
雪崩电流 (注1) Avalanche Current (note 1)	I_{AR}	1.8		A
重复雪崩能量 (注1) Repetitive Avalanche Energy (note 1)	E_{AR}	0.32		mJ
二极管反向恢复最大电压变 化速率 (注3) Peak Diode Recovery dv/dt (note 3)	dv/dt	15		V/ns
耗散功率 Power Dissipation	P_D T _C =25°C -Derate above 25°C	129	40	W
		1.03	0.32	W/°C
最高结温及存储温度 Operating and Storage Temperature Range	T _J , T _{STG}	-55~+150		°C
引线最高焊接温度 Maximum Lead Temperature for Soldering Purposes	T _L	300		°C

*漏极电流由最高结温限制

*Drain current limited by maximum junction temperature



电特性 ELECTRICAL CHARACTERISTICS

项 目 Parameter	符 号 Symbol	测试条件 Tests conditions	最小 Min	典型 Typ	最大 Max	单 位 Units
关态特性 Off –Characteristics						
漏—源击穿电压 Drain-Source Voltage	BV_{DSS}	$I_D=250\mu A, V_{GS}=0V$	650	-	-	V
击穿电压温度特性 Breakdown Voltage Temperature Coefficient	$\Delta BV_{DSS}/\Delta T_J$	$I_D=250\mu A$, referenced to $25^\circ C$	-	0.65	-	V/ $^\circ C$
零栅压下漏极漏电流 Zero Gate Voltage Drain Current	I_{DSS}	$V_{DS}=650V, V_{GS}=0V,$ $T_C=25^\circ C$	-	-	1	μA
		$V_{DS}=650V, T_C=125^\circ C$	-	-	100	μA
正向栅极体漏电流 Gate-body leakage current, forward	I_{GSSF}	$V_{DS}=0V, V_{GS}=30V$	-	-	100	nA
反向栅极体漏电流 Gate-body leakage current, reverse	I_{GSSR}	$V_{DS}=0V, V_{GS}=-30V$	-	-	-100	nA
通态特性 On-Characteristics						
阈值电压 Gate Threshold Voltage	$V_{GS(th)}$	$V_{DS} = V_{GS}, I_D=250\mu A$	2.5	-	4.5	V
静态导通电阻 Static Drain-Source On-Resistance	$R_{DS(ON)}$	$V_{GS}=10V, I_D=5.5A$	-	0.36	0.40	Ω
正向跨导 Forward Transconductance	g_{fs}	$V_{DS}=10V, I_D=5A$ (note 4)	-	8	-	S
动态特性 Dynamic Characteristics						
输入电容 Input capacitance	C_{iss}	$V_{DS}=100V,$ $V_{GS}=0V,$ $f=1.0MHz$	-	850	1500	pF
输出电容 Output capacitance	C_{oss}		-	40	100	pF
反向传输电容 Reverse transfer capacitance	C_{riss}		-	3	20	pF





电特性 ELECTRICAL CHARACTERISTICS

开关特性 Switching Characteristics						
延迟时间 Turn-On delay time	$t_{d(on)}$	$V_{DD}=400V, I_D=11A, R_G=25\Omega,$ $V_{GS}=10V$ (note 4, 5)	-	30	60	ns
上升时间 Turn-On rise time	t_r		-	40	120	ns
延迟时间 Turn-Off delay time	$t_{d(off)}$		-	95	250	ns
下降时间 Turn-Off Fall time	t_f		-	31	120	ns
栅极电荷总量 Total Gate Charge	Q_g	$V_{DS}=520V,$ $I_D=11A$ $V_{GS}=10V$ (note 4, 5)	-	22	100	nC
栅-源电荷 Gate-Source charge	Q_{gs}		-	6	-	nC
栅-漏电荷 Gate-Drain charge	Q_{gd}		-	7	-	nC
漏-源二极管特性及最大额定值 Drain-Source Diode Characteristics and Maximum Ratings						
正向最大连续电流 Maximum Continuous Drain -Source Diode Forward Current		I_S	-	-	11	A
正向最大脉冲电流 Maximum Pulsed Drain-Source Diode Forward Current		I_{SM}	-	-	33	A
正向压降 Drain-Source Diode Forward Voltage	V_{SD}	$V_{GS}=0V,$ $I_S=11A$	-	0.9	1.2	V
反向恢复时间 Reverse recovery time	t_{rr}	$V_r=400V, I_F=I_S$ $di_F/dt=100A/\mu s$ (note 4)	-	240	-	ns
反向恢复电荷 Reverse recovery charge	Q_{rr}		-	2.3	-	μC

热特性 THERMAL CHARACTERISTIC

项 目 Parameter	符 号 Symbol	最大 Max		单 位 Unit
		MS65R360/DPAK/ TO-220C	MS65R360/TO-220MF-K1/K2/K4	
结到管壳的热阻 Thermal Resistance, Junction to Case	$R_{th(j-c)}$	1	4	$^{\circ}C/W$
结到环境的热阻 Thermal Resistance, Junction to Ambient	$R_{th(j-A)}$	150	68	$^{\circ}C/W$

注释:

- 1: 脉冲宽度由最高结温限制
- 2: $I_{AS}=1.8A, V_{DD}=50V, R_G=25\Omega$, 起始结温 $T_J=25^{\circ}C$
- 3: $I_{SD}\leq 11A, di/dt\leq 300A/\mu s, V_{DD}\leq BV_{DSS}$, 起始结温 $T_J=25^{\circ}C$
- 4: 脉冲测试: 脉冲宽度 $\leq 300\mu s$, 占空比 $\leq 2\%$
- 5: 基本与工作温度无关

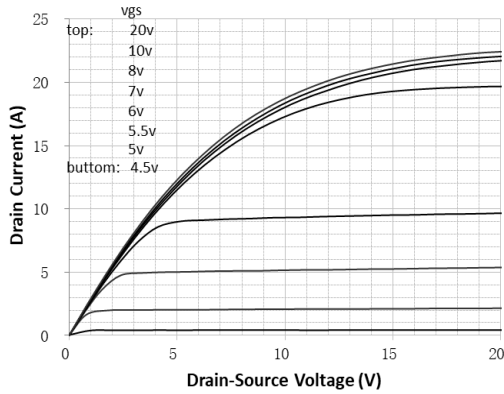
Notes:

- 1: Pulse width limited by maximum junction temperature
- 2: $I_{AS}=1.8A, V_{DD}=50V, R_G=25\Omega$, Starting $T_J=25^{\circ}C$
- 3: $I_{SD}\leq 11A, di/dt\leq 300A/\mu s, V_{DD}\leq BV_{DSS}$, Starting $T_J=25^{\circ}C$
- 4: Pulse Test: Pulse Width $\leq 300\mu s$, Duty Cycles $\leq 2\%$
- 5: Essentially independent of operating temperature

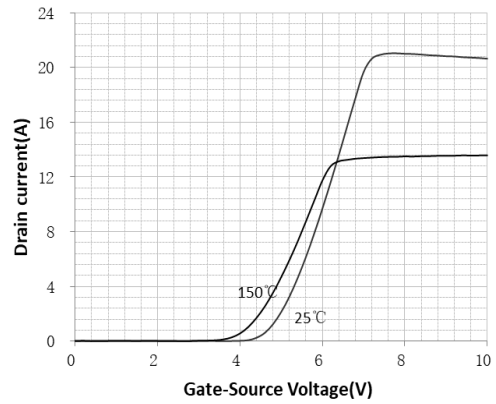


特征曲线 ELECTRICAL CHARACTERISTICS (curves)

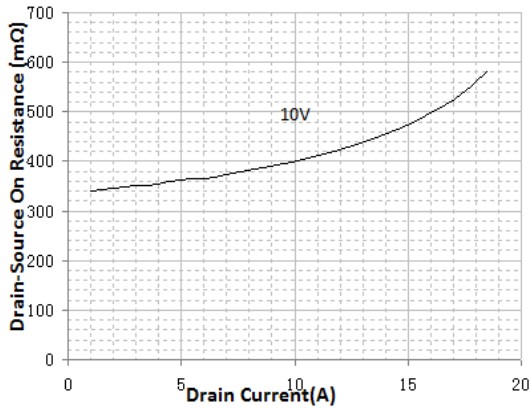
On-Region Characteristics



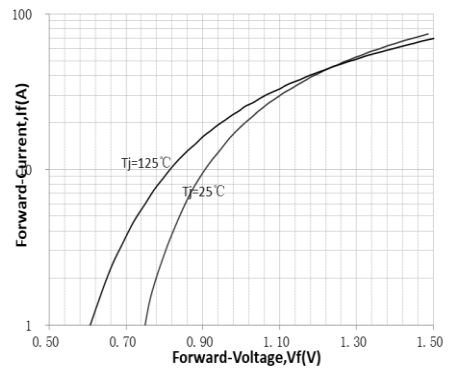
Transfer Characteristics



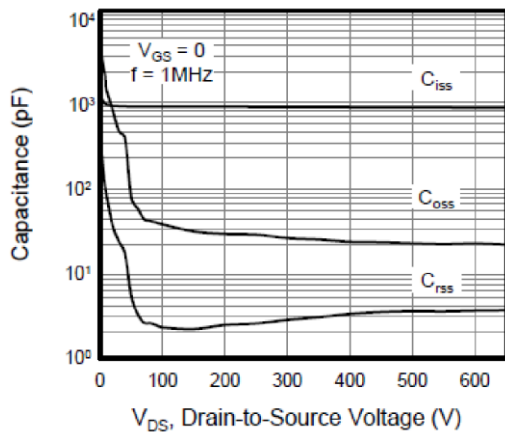
On-Resistance Variation vs. Drain Current and Gate Voltage



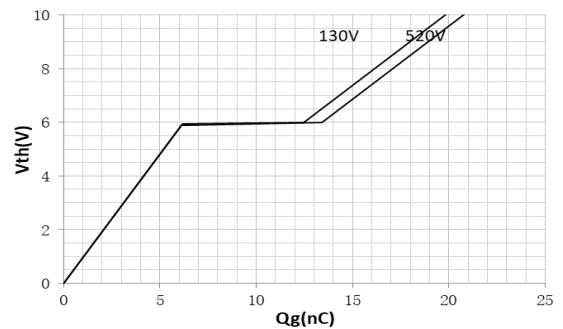
Body Diode Forward Voltage Variation vs. Source Current and Temperature



Gate Charge Characteristics



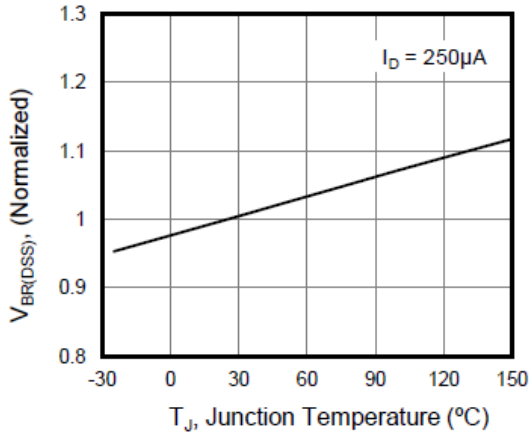
Capacitance Characteristics



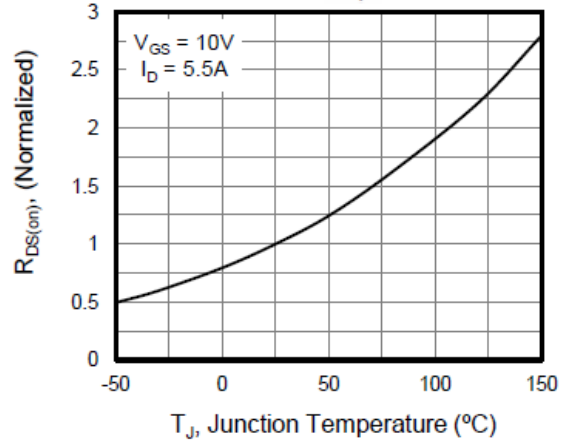


特征曲线 ELECTRICAL CHARACTERISTICS (curves)

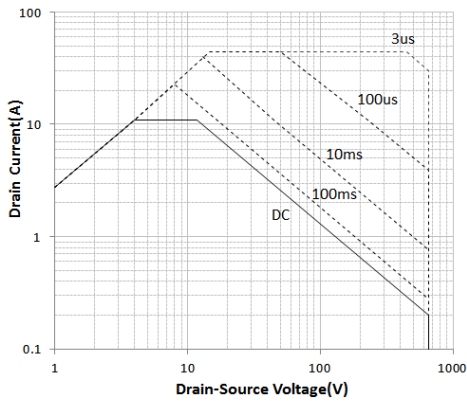
Breakdown Voltage Variation vs. Temperature



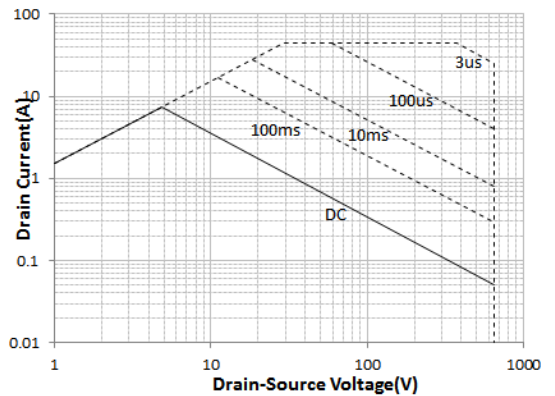
On-Resistance Variation vs. Temperature



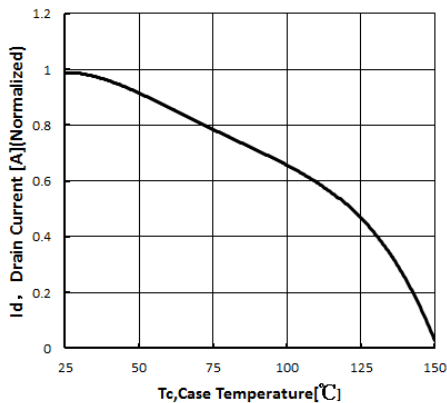
Maximum Safe Operating Area For MS65R360/DPAK/ TO-220C



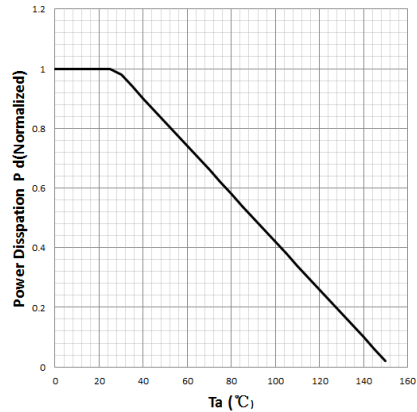
Maximum Safe Operating Area For MS65R360/TO-220MF-K1/K2/K4



Maximum Drain Current vs. Case Temperature



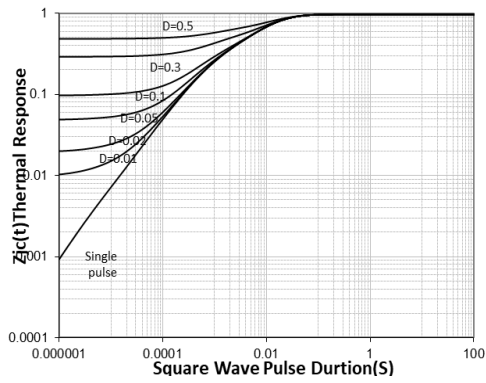
Power Dissipation vs. Temperature



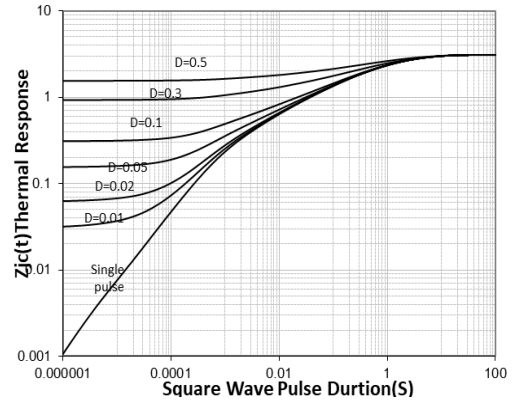


特征曲线 ELECTRICAL CHARACTERISTICS (curves)

Transient Thermal Response Curve For MS65R360/DPAK/ TO-220C



Transient Thermal Response Curve For MS65R360/TO-220MF-K1/K2/K4

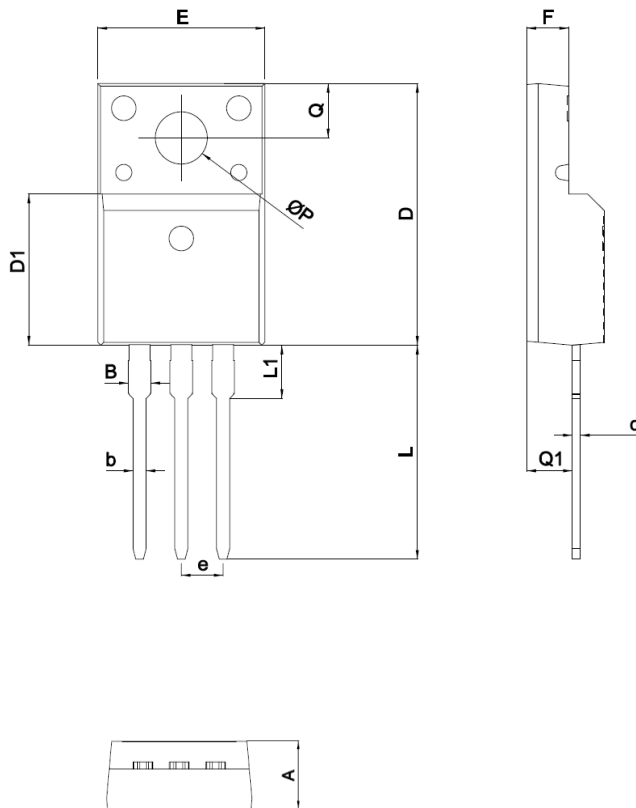




外形尺寸 PACKAGE MECHANICAL DATA

TO-220MF-K1

单位 Unit: mm



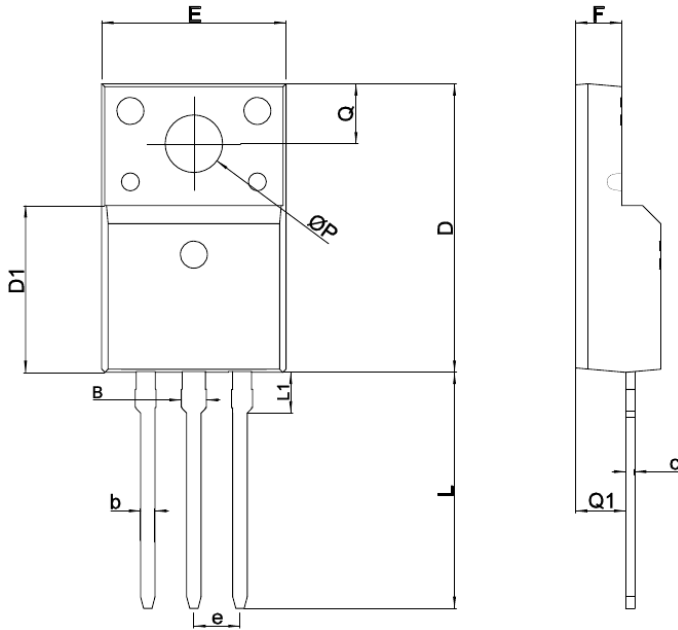
SYMBOL	mm	
	MIN	MAX
A	4.5	4.9
B	1.22	1.47
b	0.7	0.9
c	0.45	0.60
D	15.6	16.1
D1	9.0	9.3
e	2.54TYPE	
E	9.9	10.4
F	2.3	2.8
L	12.6	13.3
L1	3.1	3.4
Q	3.2	3.4
Q1	2.6	2.9
ΦP	3.0	3.5



外形尺寸 PACKAGE MECHANICAL DATA

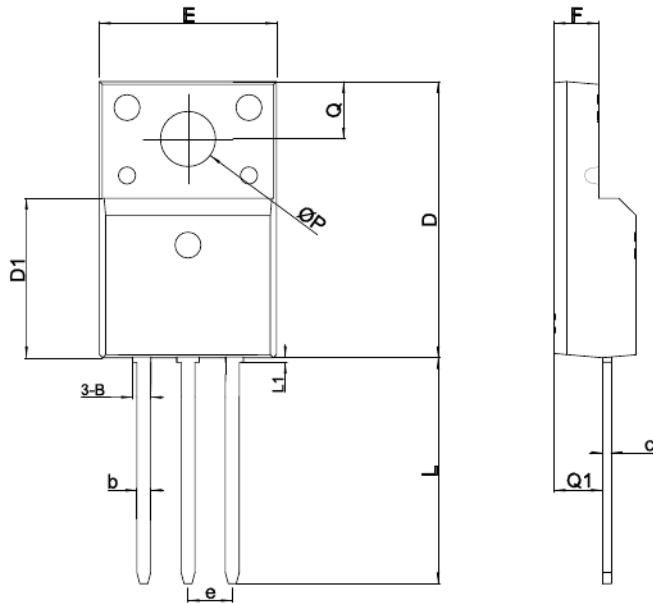
TO-220MF-K2

单位 Unit: mm

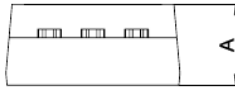


SYMBOL	mm	
	MIN	MAX
A	4.5	4.9
B		1.27
b	0.59	0.79
c	0.45	0.60
D	15.67	16.07
D1	8.97	9.37
e	2.54TYPE	
E	9.96	10.36
F	2.34	2.74
L	12.65	13.35
L1	1.80	2.20
Q	3.2	3.4
Q1	2.56	2.96
ΦP	3.08	3.28





SYMBOL	mm	
	MIN	MAX
A	4.5	4.9
B	1.04	1.24
b	0.59	0.79
c	0.45	0.60
D	15.67	16.07
D1	8.97	9.37
e	2.54TYPE	
E	9.96	10.36
F	2.34	2.74
L	12.65	13.35
L1	MAX 0.95	
Q	3.2	3.4
Q1	2.56	2.96
ΦP	3.08	3.28

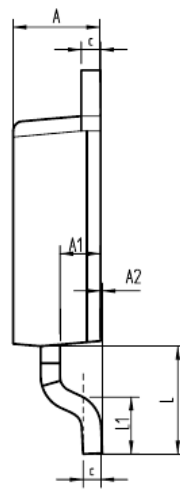
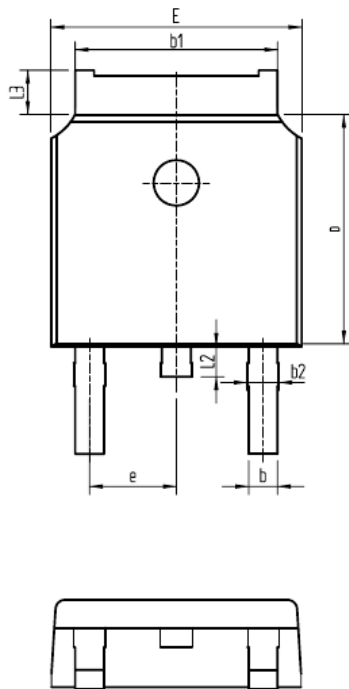




外形尺寸 PACKAGE MECHANICAL DATA

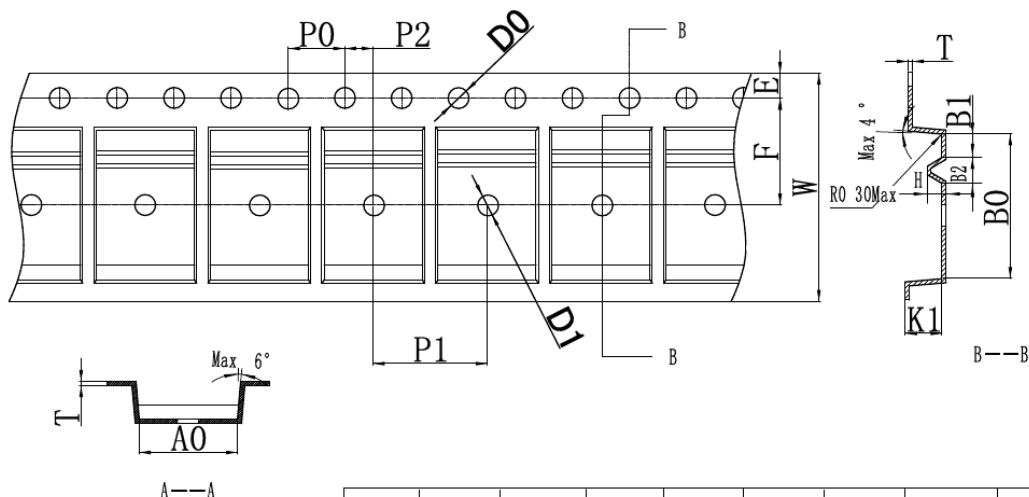
DPAK

单位 Unit: mm



SYMBOL	mm	
	MIN	MAX
A	2.16	2.41
A1	0.97	1.17
A2	0.00	0.15
b	0.63	0.93
b1	5.13	5.53
b2	0.66	0.96
c	0.40	0.60
D	5.80	6.40
E	6.30	6.90
e	2.286BSC	
L	2.50	3.30
L1	1.20	1.80
L2	0.60	1.00
L3	0.85	1.30

编带 REEL

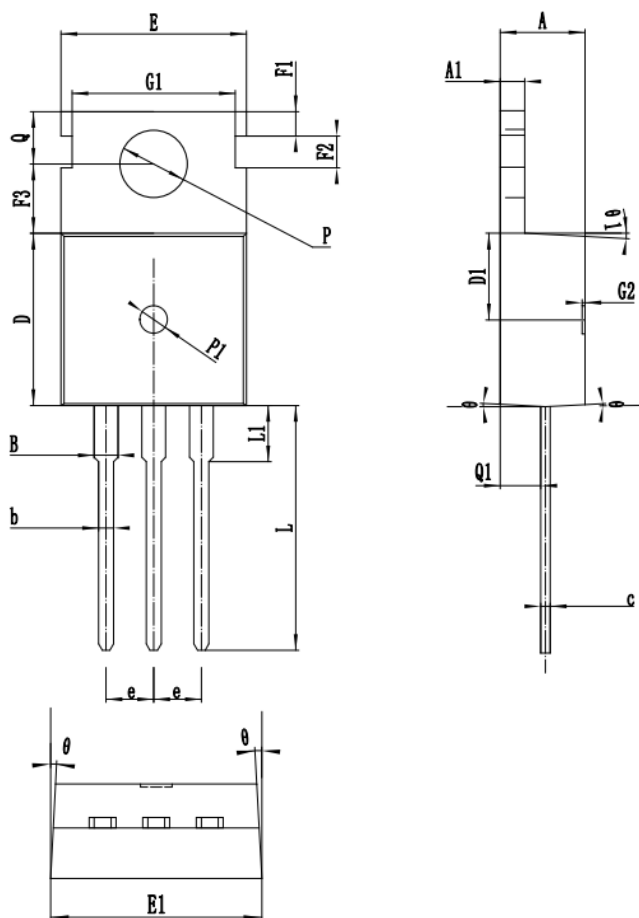


SYMBOL	A0	B0	B1	B2	K1	P0	P1	P2
SPEC	6.96±0.10	10.49±0.1	1.65±0.05	1.44±0.05	2.79±0.10	4.00±0.10	8.00±0.10	2.00±0.10
SYMBOL	H	T	E	F	D0	D1	W	
SPEC	1.18±0.05	0.33±0.025	1.75±0.10	7.5±0.10	1.65±0.05	1.50 ^{+0.25} ₀	16.00 ^{+0.3} _{0.1}	



TO-220C

单位 Unit: mm



符号 symbol	MIN	NOM	MAX
*A	4.400	4.500	4.600
*A1	1.290	1.300	1.380
*B	1.220	1.270	1.370
*b	0.760	0.800	0.900
*c	0.450	0.500	0.600
*D	9.100	9.200	9.300
*D1	4.500	4.600	4.700
*E	9.780	9.880	10.050
*E1	9.920	10.020	10.120
e	2.480	2.540	2.600
F1	1.220	1.300	1.380
F2	1.600	1.700	1.800
*F3	3.600	3.700	3.800
G1	8.600	8.700	8.800
G2	0.100	0.150	0.200
*L	12.980	13.080	13.230
L1	2.900	3.000	3.100
*ΦP	3.540	3.650	3.670
ΦP1	1.400	1.500	1.600
Q	2.700	2.800	2.900
*Q1	2.300	2.400	2.500
θ	1°	3°	5°
*θ1	1°	3°	5°



注意事项

1. 吉林华微电子股份有限公司的产品销售分为直销和销售代理，无论哪种方式，订货时请与公司核实。
2. 购买时请认清公司商标，如有疑问请与公司本部联系。
3. 在电路设计时请不要超过器件的绝对最大额定值，否则会影响整机的可靠性。
4. 本说明书如有版本变更不另外告知。

NOTE

1. Jilin Sino-microelectronics co., Ltd sales its product either through direct sales or sales agent , thus, for customers, when ordering , please check with our company.
2. We strongly recommend customers check carefully on the trademark when buying our product, if there is any question, please don't be hesitate to contact us.
3. Please do not exceed the absolute maximum ratings of the device when circuit designing.
4. Jilin Sino-microelectronics co., Ltd reserves the right to make changes in this. specification sheet and is subject to change without prior notice.

联系方式

吉林华微电子股份有限公司

公司地址：吉林省吉林市深圳街 99 号

邮编：132013

总机：86-432-64678411

传真：86-432-64665812

网址：www.hwdz.com.cn

CONTACT

JILIN SINO-MICROELECTRONICS CO., LTD.

ADD: No.99 Shenzhen Street, Jilin City, Jilin Province, China.

Post Code: 132013

Tel: 86-432-64678411

Fax: 86-432-64665812

Web Site: www.hwdz.com.cn